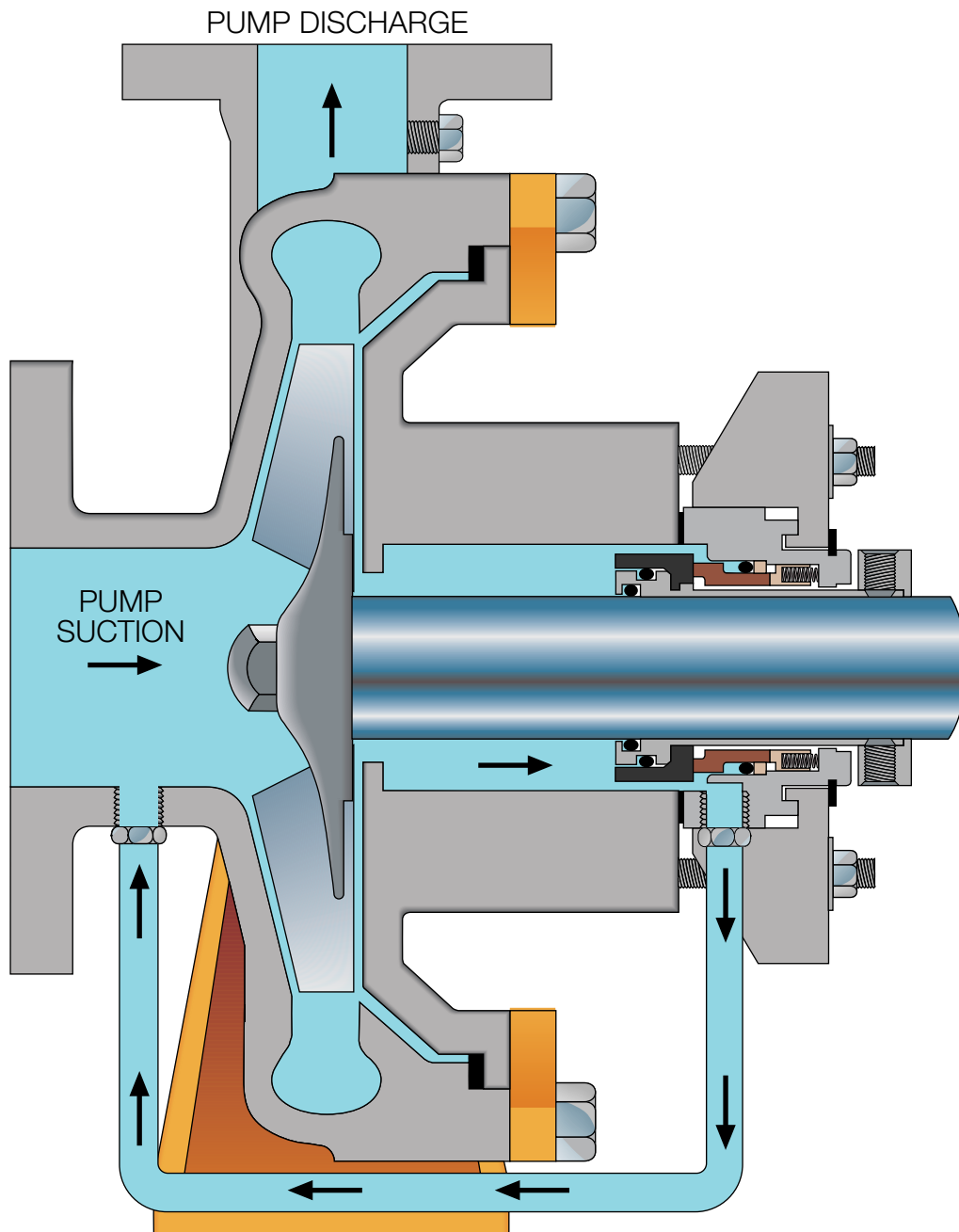


# Suction Recirculation



- Use with a single seal
  - Prevents solids hang-up
  - Lowers seal chamber pressure
  - Cools seal
- Reduces seal generated heat
  - Use caution with low vapor liquids
  - Stuffing box lantern ring connection can also be used